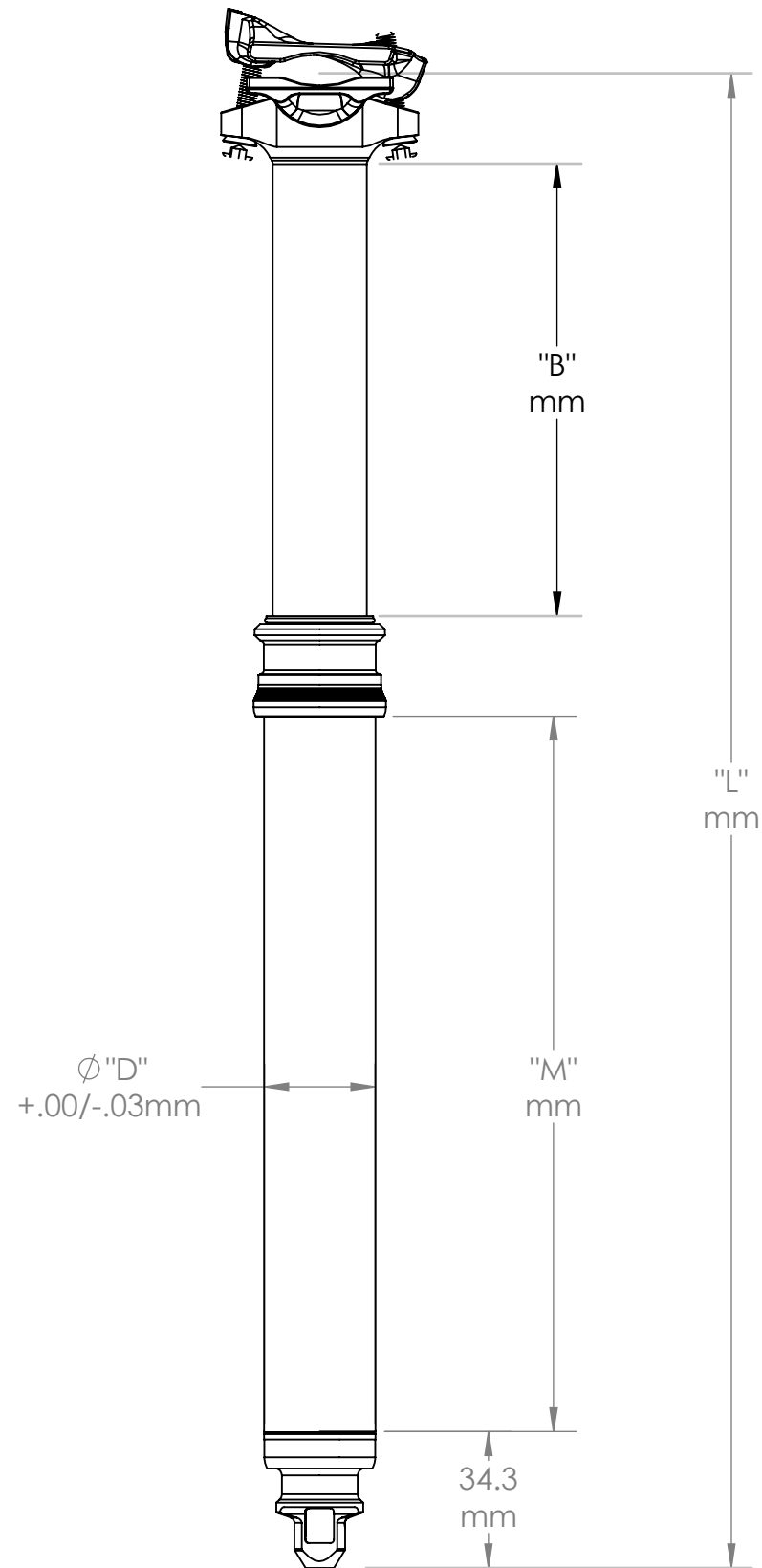


REV	DATE	DESCRIPTION	APP.
NEW	<DATE>	NEW DRAWING	<INIT>



Model Number	Description	"L"	"M"	"B"	"D"
		Overall Length	Max. Insertion Length	Travel	Seatpost Diameter
DP-C101	27.2 X 292 mm	292 mm	168.6 mm	60.0 mm	27.2 mm
DP-C102	27.2 X 395 mm	395 mm	232.6 mm	100.0 mm	27.2 mm
DP-C103	27.2 X 420 mm	420 mm	232.6 mm	125.0 mm	27.2 mm

UNLESS OTHERWISE SPECIFIED
DIMENSIONS ARE IN INCHES (mm)
TOLERANCES:
ANGLES $\pm 1^\circ$ DECIMALS $\pm .010$ (.25)
FINISH 125 (3.2) RA MAX
BREAK CORNERS .01-.02 RAD

USED ON:	DRAWN:	DATE:	L.H. THOMSON COMPANY CORPORATE OFFICES MACON, GA 31216
CHECKED:	DATE:		
QA:	DATE:		
SECTION NO.			27.2 Dropper Post - Internal Cable (60 - 125mm)
CHANGE NO.			SIZE: B CAGE CODE: DRAWING NO. WEB 10
FILE: \\BIKE THOMSON\113\142\WEBSITE DATA\010 NEW DROPPER SEATPOST Rev New			SHEET 2 OF 5