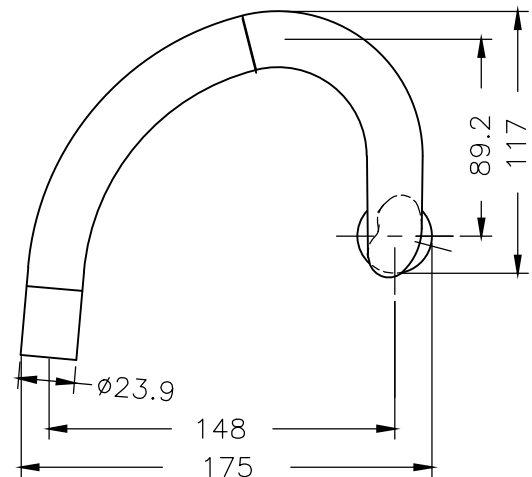
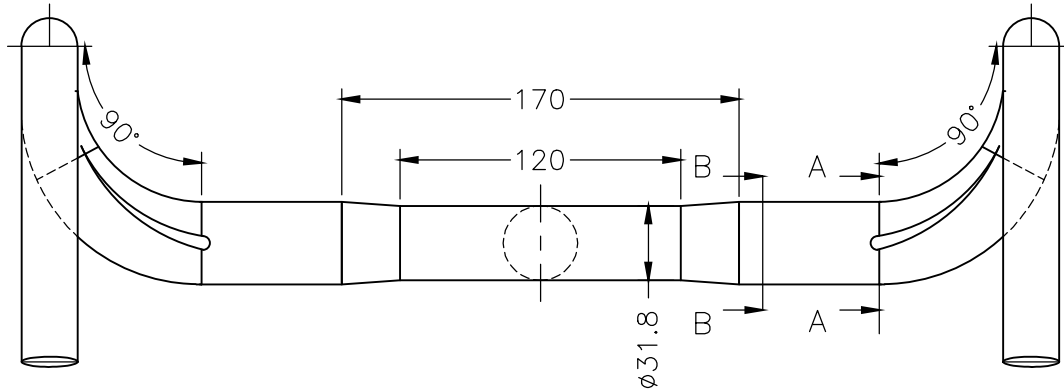
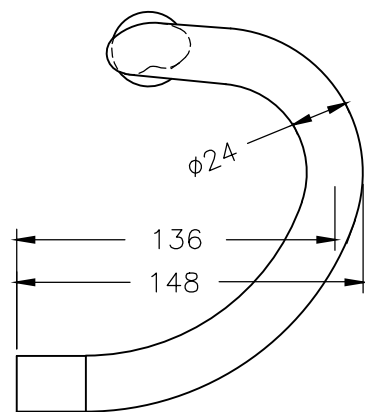


| | | | |
|-----|-----|-----|-------|
| A-A | B-B | | W=±3% |
| | | 380 | 220g |
| | | 400 | 230g |
| | | 420 | 240g |
| | | 440 | 270g |



THIS DOCUMENT/DATA RECORD IS THE PROPERTY OF L.H. THOMSON CO. AND CONTAINS PROPRIETARY AND CONFIDENTIAL INFORMATION, AND IS NOT TO BE COPIED.

UNLESS OTHERWISE SPECIFIED DIMENSIONS ARE IN mm TOLERANCES:
 ANGLES ± 1° DECIMALS ± .25
 FINISH 3.2 RA MAX
 BREAK CORNERS .30-.60 RAD

| | | | |
|---------------------------------------|---|-----------|-------------|
| USED ON: L. H. Thomson Web Site | L.H. THOMSON COMPANY CORPORATE OFFICES MACON, GA 31297 | | |
| SECTION NO. | Alloy drop bar HB-E119-122 | | |
| CHANGE NO. | SIZE A | CAGE CODE | DRAWING NO. |
| GROUP ORIGIN: | | | |
| SHEET 1 OF 1 | | | |