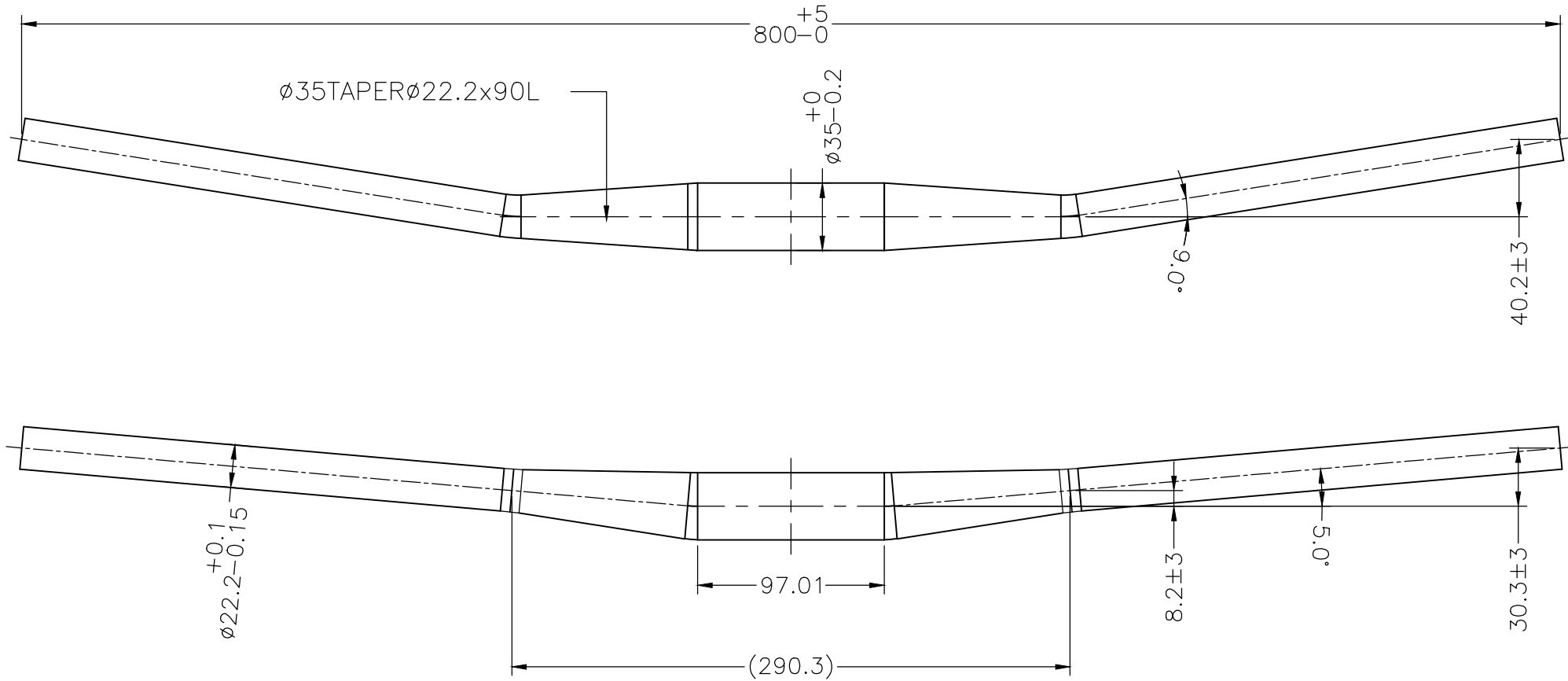


290±3%



THIS DOCUMENT/DATA RECORD IS THE PROPERTY OF L.H. THOMSON CO. AND CONTAINS PROPRIETARY AND CONFIDENTIAL INFORMATION, AND IS NOT TO BE COPIED.

UNLESS OTHERWISE SPECIFIED DIMENSIONS ARE IN mm TOLERANCES:  
ANGLES  $\pm 1^\circ$  DECIMALS  $\pm .25$   
FINISH 3.2 RA MAX  
BREAK CORNERS .30-.60 RAD

USED ON: L. H. Thomson Web Site	<b>L. H. THOMSON COMPANY</b> CORPORATE OFFICES MACON, GA 31297		
SECTION NO.	Thomson 35 x 8 x 800mm Bar		
CHANGE NO.	SIZE A	CAGE CODE	DRAWING NO.
GROUP ORIGIN:			