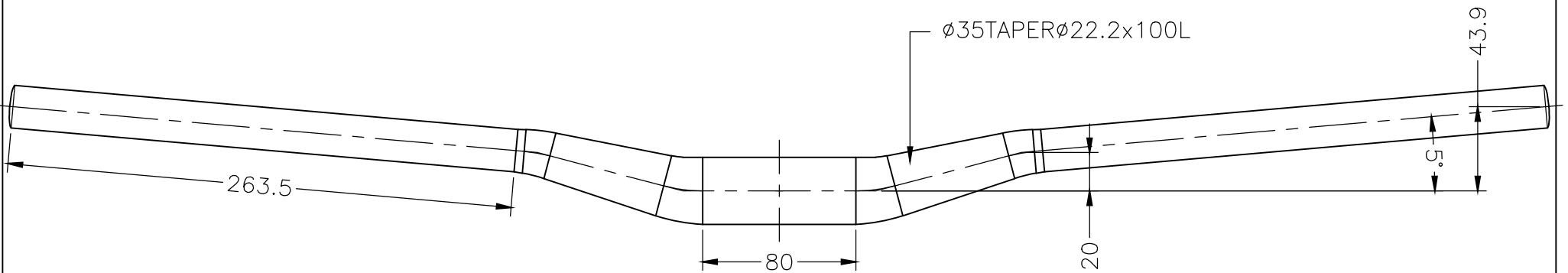
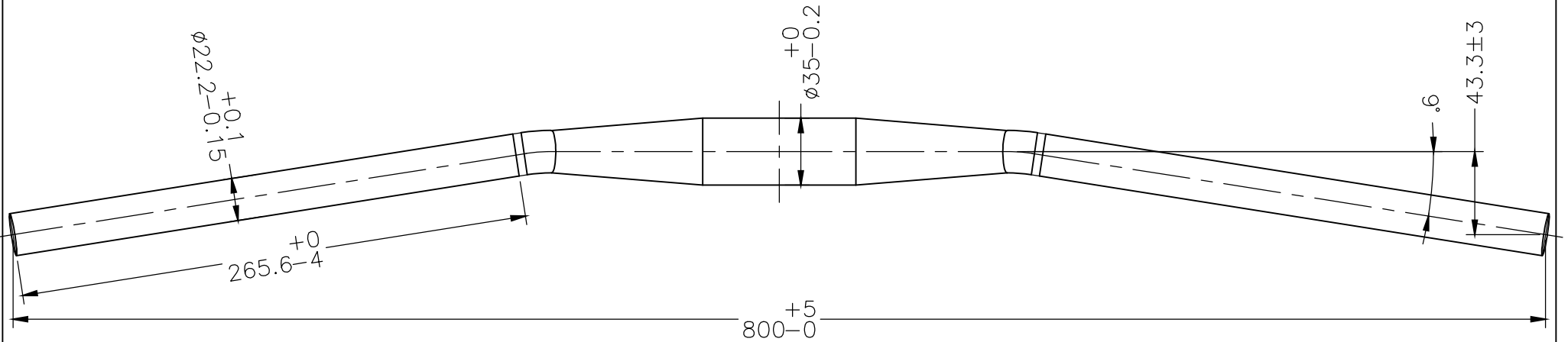


310gw±3%



THIS DOCUMENT/DATA RECORD IS THE PROPERTY OF L.H. THOMSON CO. AND CONTAINS PROPRIETARY AND CONFIDENTIAL INFORMATION, AND IS NOT TO BE COPIED.

UNLESS OTHERWISE SPECIFIED DIMENSIONS ARE IN mm TOLERANCES:
 ANGLES $\pm 1^\circ$ DECIMALS $\pm .25$
 FINISH 3.2 RA MAX
 BREAK CORNERS .30-.60 RAD

USED ON: L. H. Thomson Web Site	L. H. THOMSON COMPANY CORPORATE OFFICES MACON, GA 31297		
SECTION NO.	Thomson 35 x 20 x 800mm Bar		
CHANGE NO.	SIZE A	CAGE CODE	DRAWING NO.
GROUP ORIGIN:	SHEET 1 OF 1		