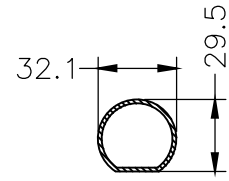
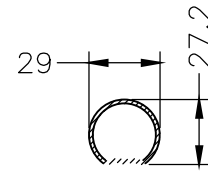


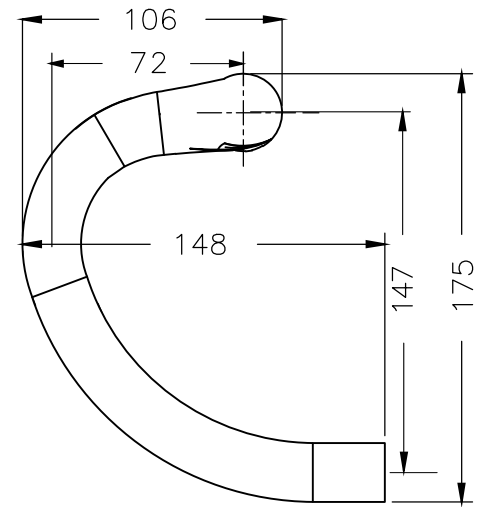
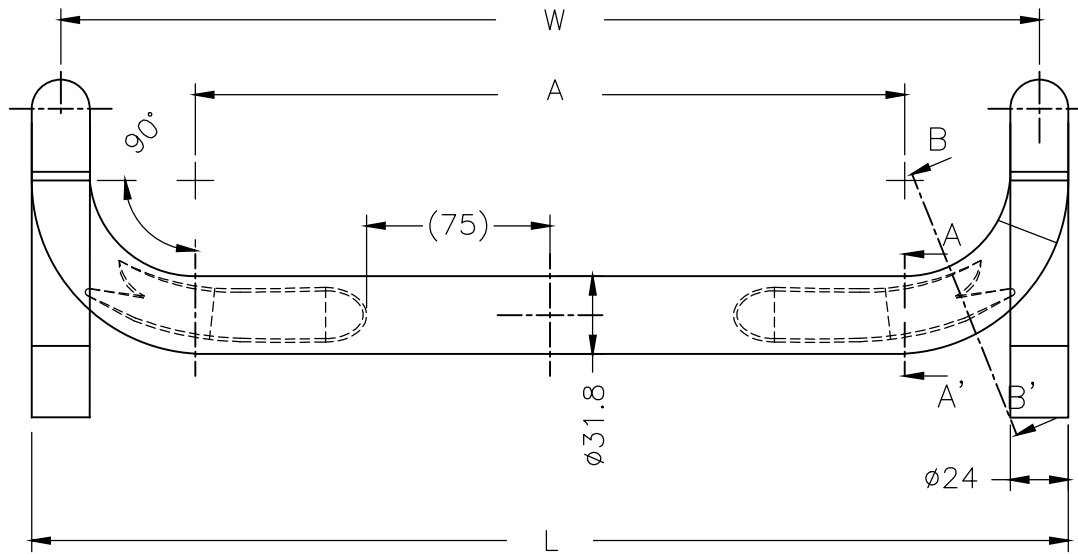
W	A	L	WEIGHT
380	270	404	270g
400	290	424	275g
420	310	444	280g
440	330	464	285g



A-A



B-B



USED ON: L. H. Thomson Web Site		L. H. THOMSON COMPANY CORPORATE OFFICES MACON, GA 31297	
SECTION NO.		Alloy drop bar HB-E123-126	
CHANGE NO.	SIZE	CAGE CODE	DRAWING NO.
GROUP ORIGIN:	A		
SHEET 1 OF 1			