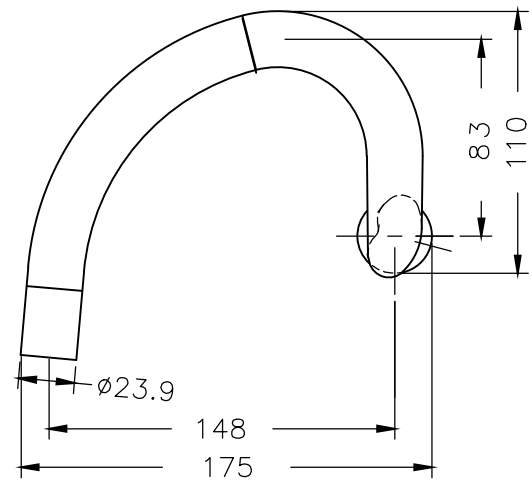
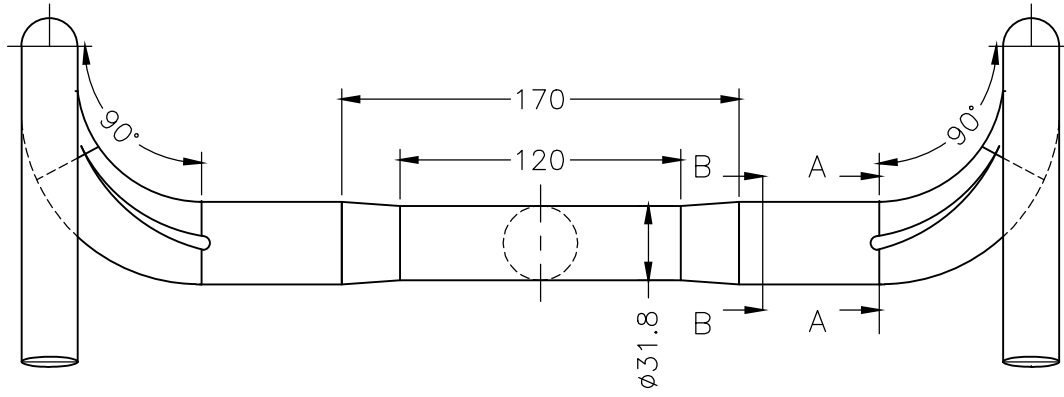
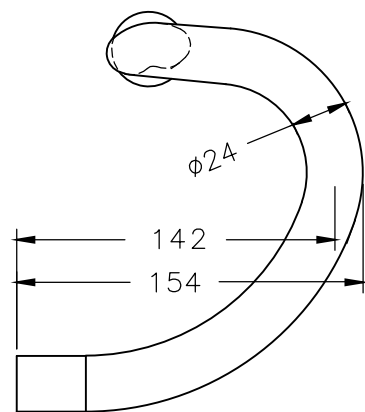


A-A	B-B		W=±3%
		380	215g
		400	223g
		420	230g
		440	265g



THIS DOCUMENT/DATA RECORD IS THE PROPERTY OF L.H. THOMSON CO. AND CONTAINS PROPRIETARY AND CONFIDENTIAL INFORMATION, AND IS NOT TO BE COPIED.

UNLESS OTHERWISE SPECIFIED DIMENSIONS ARE IN mm TOLERANCES:
 ANGLES ± 1° DECIMALS ± .25
 FINISH 3.2 RA MAX
 BREAK CORNERS .30-.60 RAD

USED ON: L. H. Thomson Web Site	L.H. THOMSON COMPANY CORPORATE OFFICES MACON, GA 31297		
SECTION NO.	Alloy drop bar HB-E119-122		
CHANGE NO.	SIZE A	CAGE CODE	DRAWING NO.
GROUP ORIGIN:			
SHEET 1 OF 1			