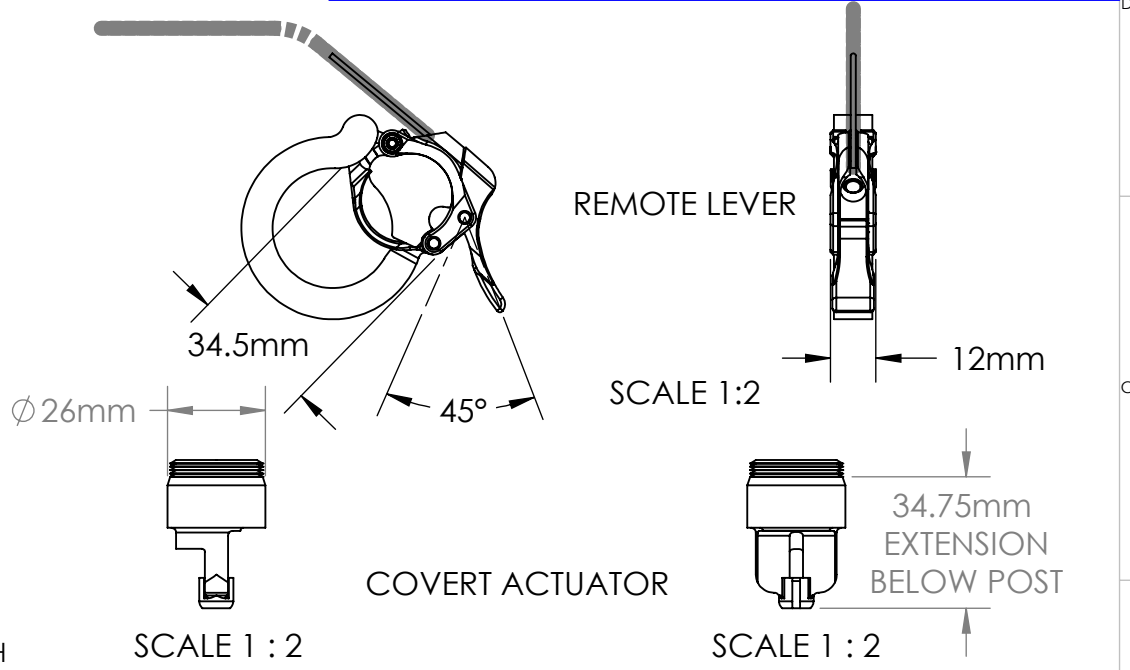
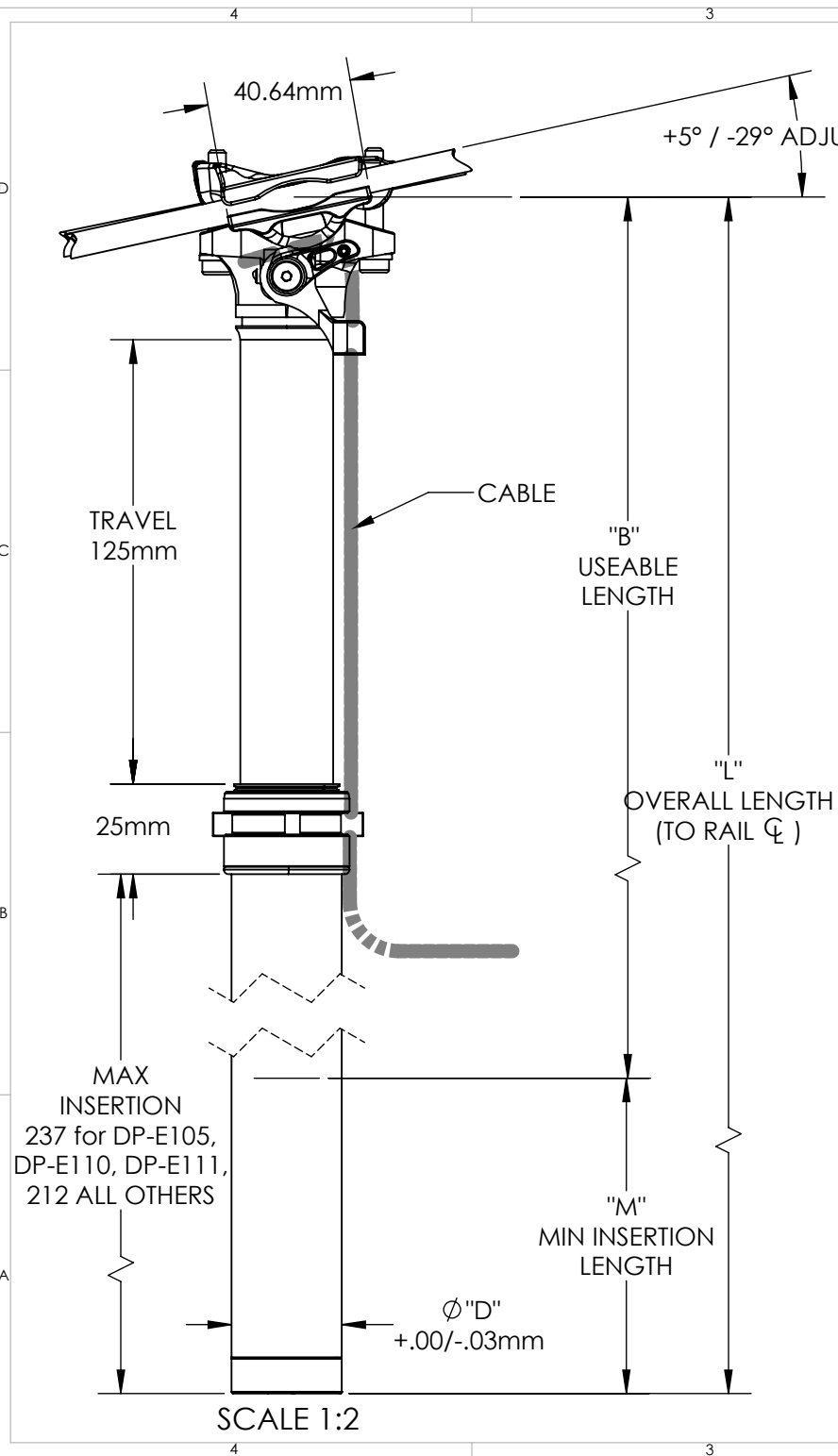


REV	DATE	DESCRIPTION	APP.
C	10/30/15	ADDED P/Ns DP-E106-109	CJ
D	11/30/15	P/Ns DP-E106-109; DIM "L" WAS 400mm; DIM "B" WAS 300mm	CJ
E	3/11/16	ADDED P/NS DP-E110 & DP-E111	CJ
F	12/6/17	Added DP-E105, DP-E110, DP-E111 to Insertion Note ZNA4	RJS
See Archive for Change Revisions New thru rev. B			



Model Number	Description	"L"	"M"	"B"	"D"
		Overall Length	Min. Insertion Length	Usable Length	Seatpost Diameter
DP-E101	30.9 X 400 mm, 125mm travel	400 mm	100.0 mm	300.0 mm	30.9 mm
DP-E102	31.6 X 400 mm, 125mm travel	400 mm	100.0 mm	300.0 mm	31.6 mm
DP-E103	Covert 30.9 X 400 mm, 125mm travel	400 mm	100.0 mm	300.0 mm	30.9 mm
DP-E104	Covert 31.6 X 400 mm, 125mm travel	400 mm	100.0 mm	300.0 mm	31.6 mm
DP-E105	27.2 X 425 mm, 125mm travel	425 mm	100.0 mm	325.0 mm	27.2 mm
DP-E106	30.9 X 375 mm, 100mm travel	375 mm	100.0 mm	275.0 mm	30.9 mm
DP-E107	31.6 X 375 mm, 100mm travel	375 mm	100.0 mm	275.0 mm	31.6 mm
DP-E108	Covert 30.9 X 375 mm, 100mm travel	375 mm	100.0 mm	275.0 mm	30.9 mm
DP-E109	Covert 31.6 X 375 mm, 100mm travel	375 mm	100.0 mm	275.0 mm	31.6 mm
DP-E110	Covert 30.9 X 450 mm, 150mm travel	450 mm	100.0 mm	350.0 mm	30.9 mm
DP-E111	Covert 31.6 X 450 mm, 150mm travel	450 mm	100.0 mm	350.0 mm	31.6 mm

UNLESS OTHERWISE SPECIFIED  
DIMENSIONS ARE IN INCHES (mm)  
TOLERANCES:  
ANGLES ± 1° DECIMALS ± .010 (.25)  
FINISH 125 (3.2) RA MAX  
BREAK CORNERS .01-.02 RAD

USED ON:  
DRAWN: G.DENES DATE: 1/17/2013  
CHECKED: D.PARRETT DATE: 1/18/2013  
SECTION NO.:  
CHANGE NO.:

**L.H. THOMSON COMPANY**  
CORPORATE OFFICES  
MACON, GA 31216  
DROPPER SEATPOST SIZE DIAGRAM  
SIZE A CAGE CODE DRAWING NO. WEB 009