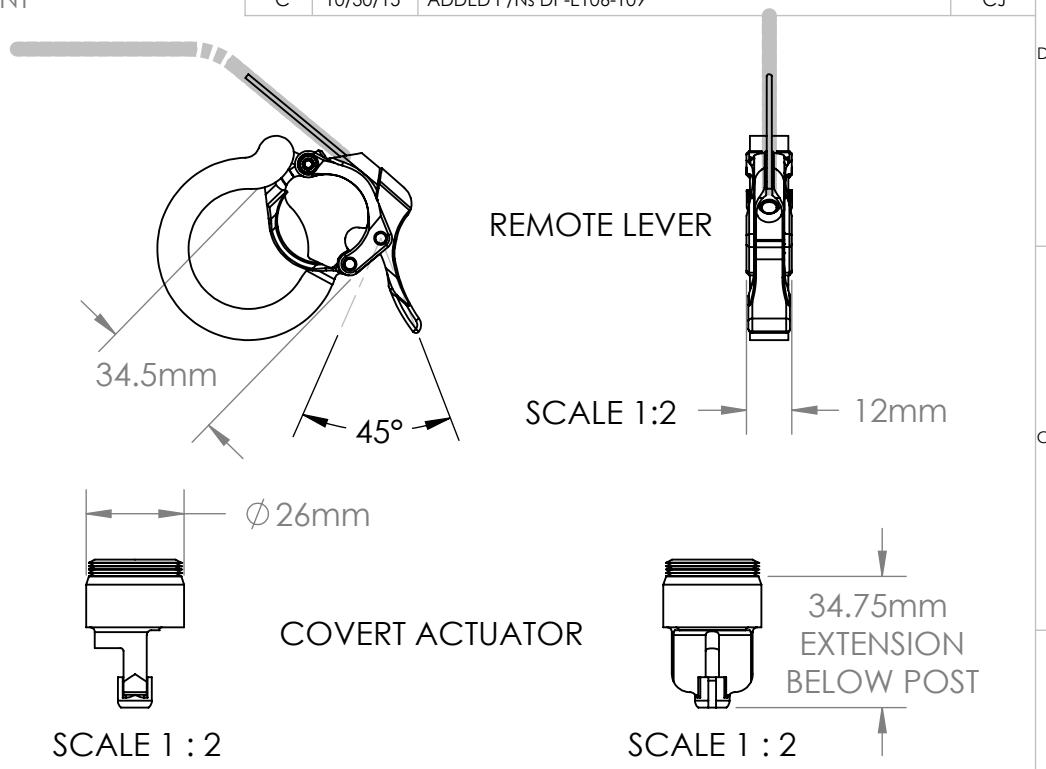
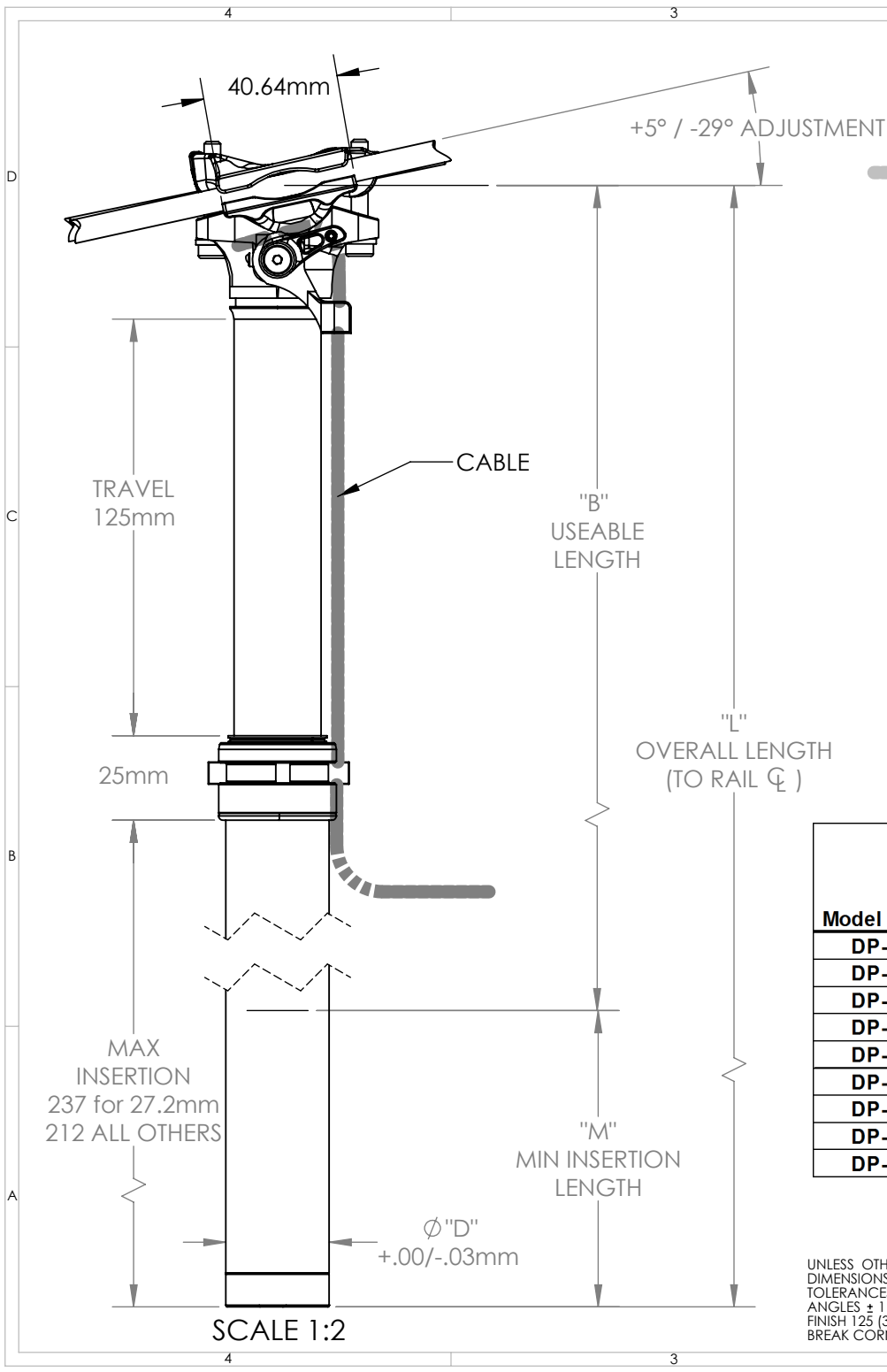


REV	DATE	DESCRIPTION	APP.
NEW	1/18/13	NEW DRAWING	GD
A	6/4/14	ADDED COVER & 27.2mm SIZES	GD
B	6/30/14	CHANGED LENGTH OF 27.2mm POST FROM 400mm	GD
C	10/30/15	ADDED P/Ns DP-E106-109	CJ



Model Number	Description	"L"	"M"	"B"	"D"
		Overall Length	Min. Insertion Length	Usable Length	Seatpost Diameter
DP-E101	30.9 X 400 mm, 125mm travel	400 mm	100.0 mm	300.0 mm	30.9 mm
DP-E102	31.6 X 400 mm, 125mm travel	400 mm	100.0 mm	300.0 mm	31.6 mm
DP-E103	Covert 30.9 X 400 mm, 125mm travel	400 mm	100.0 mm	300.0 mm	30.9 mm
DP-E104	Covert 31.6 X 400 mm, 125mm travel	400 mm	100.0 mm	300.0 mm	31.6 mm
DP-E105	27.2 X 425 mm, 125mm travel	425 mm	100.0 mm	325.0 mm	27.2 mm
DP-E106	30.9 X 400 mm, 100mm travel	400 mm	100.0 mm	300.0 mm	30.9 mm
DP-E107	31.6 X 400 mm, 100mm travel	400 mm	100.0 mm	300.0 mm	31.6 mm
DP-E108	Covert 30.9 X 400 mm, 100mm travel	400 mm	100.0 mm	300.0 mm	30.9 mm
DP-E109	Covert 31.6 X 400 mm, 100mm travel	400 mm	100.0 mm	300.0 mm	31.6 mm

UNLESS OTHERWISE SPECIFIED
DIMENSIONS ARE IN INCHES (mm)
TOLERANCES:
ANGLES ± 1° DECIMALS ± .010 (.25)
FINISH 125 (3.2) RA MAX
BREAK CORNERS .01-.02 RAD

USED ON:	DRAWN: G.DENES	DATE: 1/17/2013
	CHECKED: D.PARRETT	DATE: 1/18/2013
	QA:	DATE:
SECTION NO.:		
CHANGE NO.:		

L.H. THOMSON COMPANY
CORPORATE OFFICES
MACON, GA 31216

DROPPER SEATPOST SIZE DIAGRAM

SIZE: **A** CAGE CODE: DRAWING NO. **WEB 009**

FILE: I:\BIKE THOMSON\113\142\WEBSITE DATA\009 DROPPER SEATPOST USEABLE DATA rev C