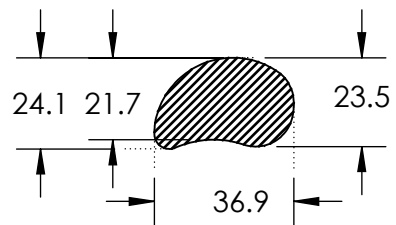
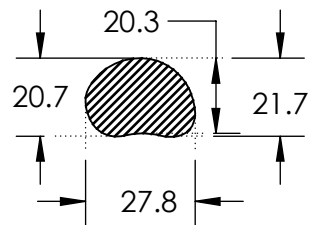


REV	DATE	DESCRIPTION	APP.
NEW	<DATE>	NEW DRAWING	<INIT>

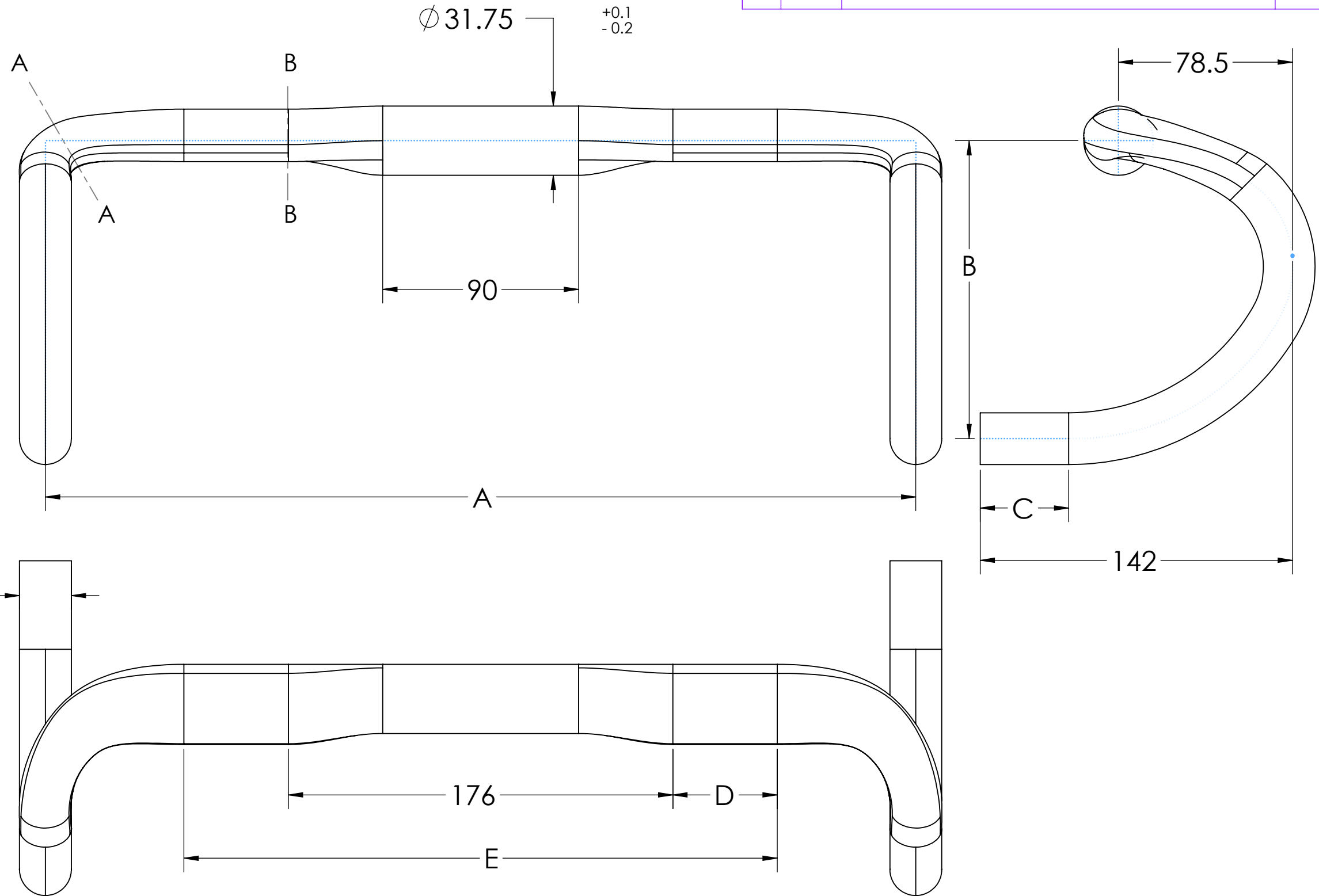
BAR CROSS-SECTIONS:



SECTION A-A



SECTION B-B



MODEL NUMBER	WEIGHT (g)	"A" (mm)	"B" (mm)	"C" (mm)	"D" (mm)	"E" (mm)
HB-E104	188	400	137	41	48	272
HB-E105	190	420	140	39	58	292
HB-E106	192	440	140	39	68	312
HB-E107	194	460	143	38	78	332

USED ON: DRAWN: ELASSITER DATE: 3/5/2013
 CHECKED: DATE: **L.H. THOMSON COMPANY**
 QA: DATE: CORPORATE OFFICES MACON, GA 31216
 SECTION NO.: THOMSON CARBON ROAD BAR-SIZE DIAGRAM
 CHANGE NO.: SIZE: B CAGE CODE: DRAWING NO.: WEB 011
 FILE: I:\BIKE THOMSON\117\117101-4_7 (CARBON ROAD BAR 40.42, 44.46) SHEET 1 OF 1