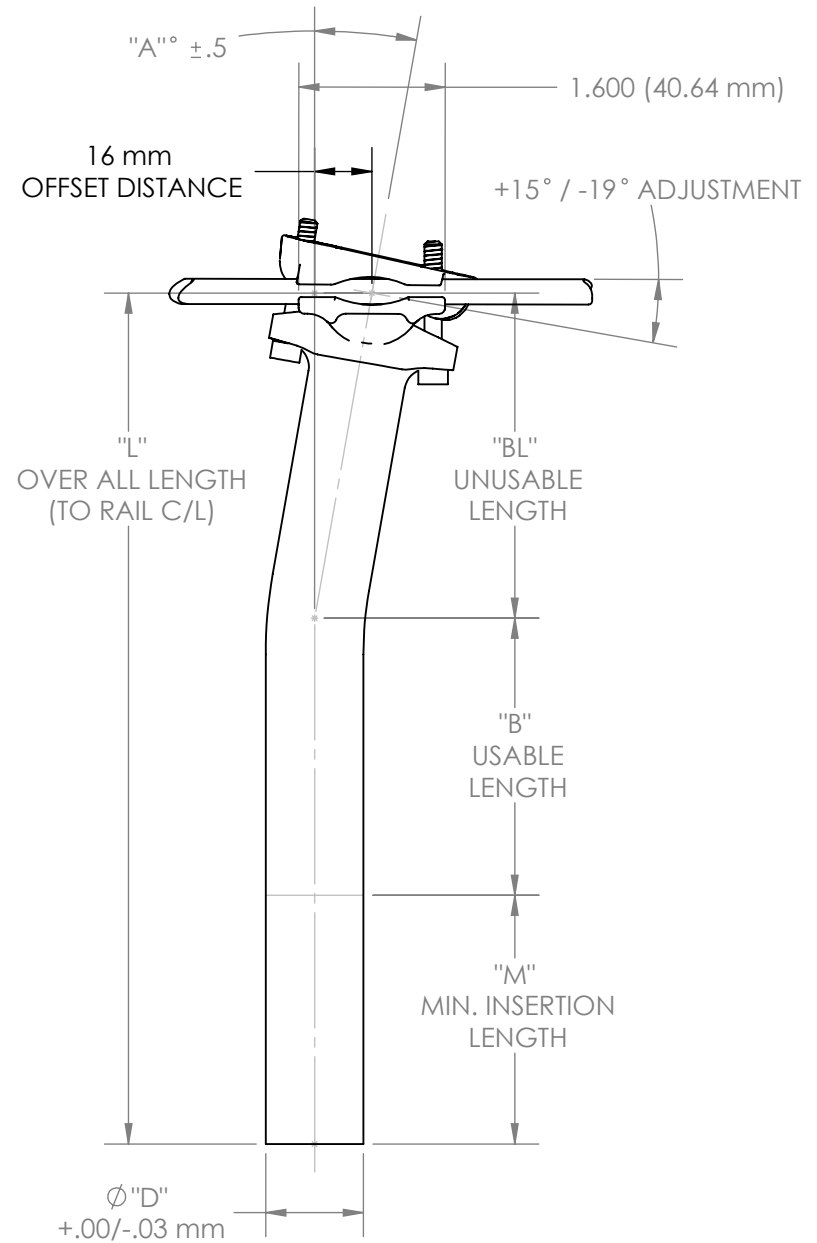


REV.	DATE	DESCRIPTION	APPR.
A	3/25/08	REMOVED NONEXISTENT PART #s	ERL
B	3/26/10	ADDED 30.0 SB INFO	ERL



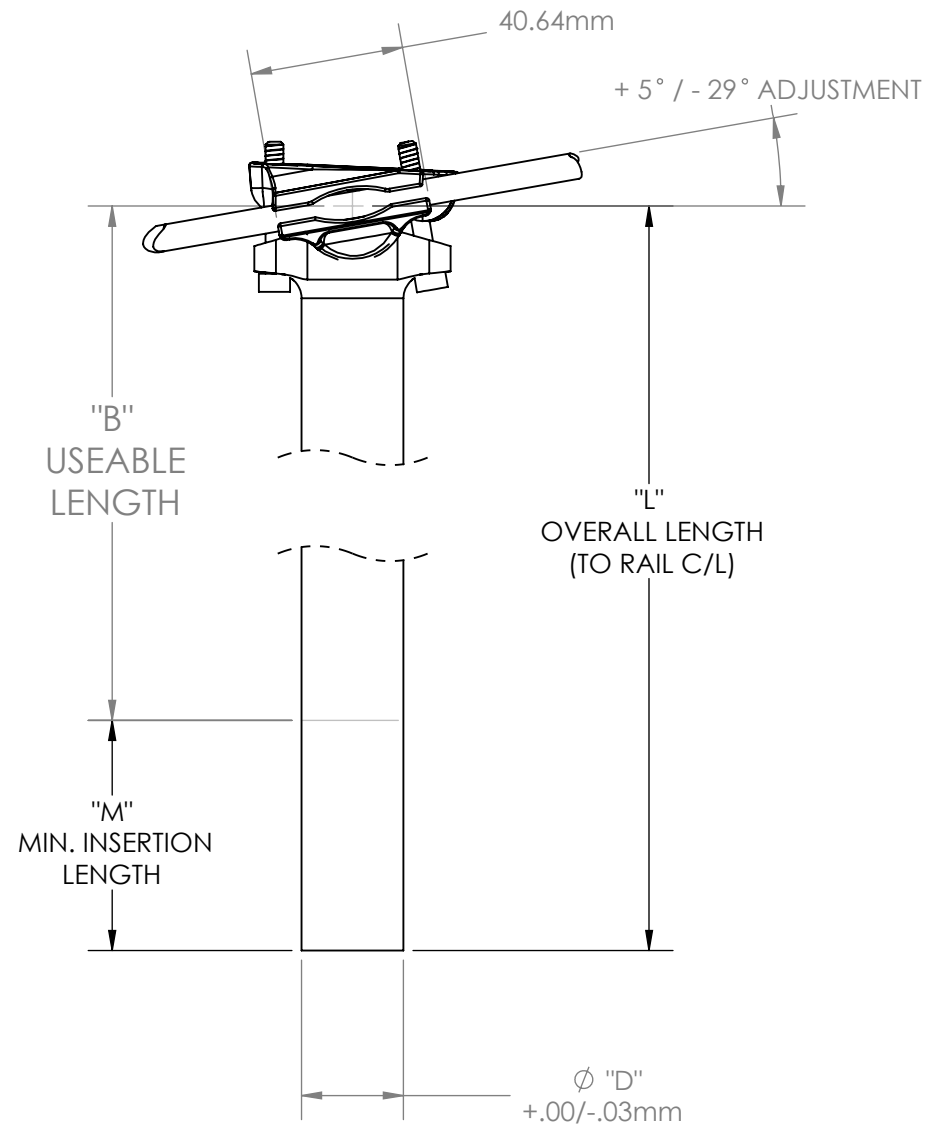
Model Number	DESCRIPTION	"L"	"M"	"A"	"B"	"BL"	"D"
		Over All Length	Min. Insertion Length	Angle of Setback	Usable Length	Unusable Length	Seatpost Diameter
SP-E101SB	27.2 x 330 mm SB	328.63 mm	63.50 mm	10°	168.08mm	97.05 mm	27.15 mm
SP-E102SB	27.2 x 250 mm SB	248.64 mm	63.50 mm	10°	88.09 mm	97.05 mm	27.15 mm
SP-E110SB	31.6 x 287 mm SB	285.14 mm	100.00 mm	10°	88.09 mm	97.05 mm	31.55 mm
SP-E127SB	30.9 x 410 mm SB	408.64 mm	100.00 mm	7°	198.22 mm	110.42 mm	30.85 mm
SP-E128SB	30.9 x 367 mm SB	365.13 mm	100.00 mm	7°	154.71 mm	110.42 mm	30.85 mm
SP-E109SB	31.6 x 367 mm SB	365.13mm	100.00 mm	7°	154.71 mm	110.42 mm	31.55mm
SP-E113SB	27.2 x 410 mm SB	408.64 mm	75.00 mm	7°	223.22 mm	110.42 mm	27.15 mm
SP-E116SB	31.6 x 410 mm SB	408.64 mm	100.00 mm	7°	198.22 mm	110.42 mm	31.55mm
SP-E155SB	32.4 x 367 mm SB	408.64 mm	100.00 mm	7°	198.22 mm	110.42 mm	32.35mm
SP-E149 SB	30.0 x 410 mm SB	408.64 mm	100.00 mm	7°	198.22 mm	110.42 mm	29.95mm

THIS DOCUMENT/DATA RECORD IS THE PROPERTY OF L.H. THOMSON CO. AND CONTAINS PROPRIETARY AND CONFIDENTIAL INFORMATION, AND IS NOT TO BE COPIED UNLESS OTHERWISE SPECIFIED. DIMENSIONS ARE IN INCHES (mm) TOLERANCES: ANGLES $\pm 1^\circ$ DECIMALS $\pm .010$ (.25) FINISH 125 (3.2) RA MAX BREAK CORNERS .01-.02 RAD

USED ON: L.H. Thomson Web Site	DRAWN: E.Lassiter DATE: 12/19/06	L.H. THOMSON COMPANY CORPORATE OFFICES MACON, GA 31297		
CHECKED:	DATE:			
SECTION NO.	STRESS: ENGR:	ELITE SET BACK SEATPOST SIZE DIAGRAM		
CHANGE NO.	M.E.:			
GROUP ORIGIN:	GROUP:	SIZE	CAGE CODE	DRAWING NO.
	PROJ.			WEB 002

REV.	DATE.	DESCRIPTION	APPR.
A	3/25/08	REMOVED NONEXISTENT PART #s	ERL
B	4/7/11	ADDED SP-E159 AND SP-E160	ERL

Model Number	Description	"L"	"M"	"B"	"D"
		Over All Length	Min. Insertion Length	Usable Length	Seatpost Diameter
SP-E156	25.0 x 330 mm	330 mm	63.5 mm	266.5 mm	24.95 mm
SP-E154	25.4 x 200 mm	200 mm	63.5 mm	136.5 mm	25.35 mm
SP-E150	25.4 x 330 mm	330 mm	63.5 mm	266.5 mm	25.35 mm
SP-E118	26.6 x 330 mm	330 mm	71.1 mm	266.5 mm	26.55 mm
SP-E105	26.8 x 330 mm	330 mm	63.5 mm	266.5 mm	26.75 mm
SP-E103	27.0 x 330 mm	330 mm	63.5 mm	266.5 mm	26.95 mm
SP-E114	27.0 x 410 mm	410 mm	76.2 mm	333.8 mm	26.95 mm
SP-E102	27.2 x 250 mm	250 mm	63.5 mm	186.5 mm	27.15 mm
SP-E101	27.2 x 330 mm	330 mm	63.5 mm	266.5 mm	27.15 mm
SP-E113	27.2 x 410 mm	410 mm	76.2 mm	333.8 mm	27.15 mm
SP-E122	28.6 x 330 mm	330 mm	63.5 mm	266.5 mm	28.55 mm
SP-E140	29.0 x 410 mm	410 mm	76.2 mm	333.8 mm	28.95 mm
SP-E142	29.4 x 330 mm	330 mm	63.5 mm	266.5 mm	29.35 mm
SP-E143	29.4 x 410 mm	410 mm	76.2 mm	333.8 mm	29.35 mm
SP-E145	29.8 x 330 mm	330 mm	63.5 mm	266.5 mm	29.75 mm
SP-E146	29.8 x 410 mm	410 mm	76.2 mm	333.8 mm	29.75 mm
SP-E148	30.0 x 330 mm	330 mm	63.5 mm	266.5 mm	29.95 mm
SP-E149	30.0 x 410 mm	410 mm	76.2 mm	333.8 mm	29.95 mm
SP-E131	30.8 x 367 mm	367 mm	100 mm	267 mm	30.75 mm
SP-E130	30.8 x 410 mm	410 mm	100 mm	310 mm	30.75 mm
SP-E129	30.9 x 287 mm	287 mm	100 mm	187 mm	30.85 mm
SP-E128	30.9 x 367 mm	367 mm	100 mm	267 mm	30.85 mm
SP-E127	30.9 x 410 mm	410 mm	100 mm	310 mm	30.85 mm
SP-E110	31.6 x 287 mm	287 mm	100 mm	187 mm	31.55 mm
SP-E109	31.6 x 367 mm	367 mm	100 mm	267 mm	31.55 mm
SP-E116	31.6 x 410 mm	410 mm	100 mm	310 mm	31.55 mm
SP-E155	32.4 x 367 mm	367 mm	100 mm	267 mm	32.35 mm
SP-E159	27.2 x 367 mm	367 mm	100 mm	267 mm	27.15 mm
SP-E160	30.6 x 367 mm	367 mm	100 mm	267 mm	30.55 mm



THIS DOCUMENT/DATA RECORD IS THE PROPERTY OF L.H. THOMSON CO. AND CONTAINS PROPRIETARY AND CONFIDENTIAL INFORMATION, AND IS NOT TO BE COPIED, UNLESS OTHERWISE SPECIFIED. DIMENSIONS ARE IN mm. TOLERANCES: ANGLES $\pm 1^\circ$ DECIMALS $\pm .25$ FINISH 3.2 RA MAX BREAK CORNERS .30-.60 RAD

USED ON:	DRAWN: R. De Rose	DATE: 12/12/04	L.H. THOMSON COMPANY CORPORATE OFFICES MACON, GA 31297		
L.H. Thomson Web Site	CHECKED: D.Parrell	DATE: 2/12/04			
SECTION NO.	STRESS:	DATE:	ELITE SEATPOST SIZE DIAGRAM		
	ENGR:	DATE:			
CHANGE NO.	M.E.:	DATE:	WEB 001		
	GROUP:	DATE:			
GROUP ORIGIN:	PROJ.	DATE:	SIZE	CAGE CODE	DRAWING NO.